

Thank you for your purchase of the Halo Tire Inflator from Aperia Technologies. To ensure the parts shipped fit correctly, it is important that we receive accurate information about your vehicles. Please fill out the form below.

Use a new form for each group of trucks with different axle/wheel configuration, pressure set point, or hub measurements. This form can also be found online at: <http://www.aperiatech.com/spec-wizard>.

CUSTOMER INFORMATION

FIRST NAME: _____ **LAST NAME:** _____

COMPANY NAME: _____ **DATE:** _____

PRIMARY PHONE: _____ **PRIMARY EMAIL:** _____

SHIPPING ADDRESS: _____ **CITY/ STATE/ ZIP:** _____

VEHICLE MAKE: _____ **VEHICLE MODEL:** _____

VEHICLE INFORMATION

1. Vehicle type: (circle one) Tractor Trailer 2. Target tire pressure: _____ PSI
3. How many axles (excluding steers) does the vehicle have? (e.g. Tandem axle = 2 axles) _____ axles
4. How many lift axles (pusher/tag) does the vehicle have? _____ axles
5. Target tire pressure for steer tires: _____ PSI

WHEEL INFORMATION

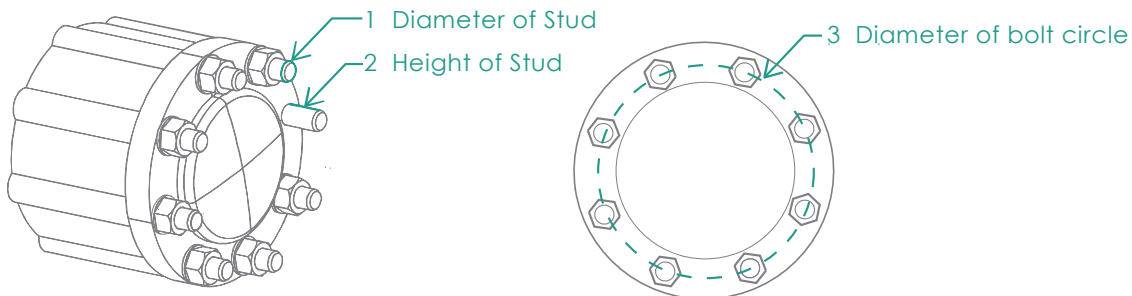
6. Wheel diameter: 24.5 inches 22.5 inches 19.5 inches 17.5 inches
7. Wheel type: Dual Wide-base
8. Wheel material and design: Steel 5 Hand-hole Steel 2 Hand-hole Aluminium Other
9. How many vehicles of this spec will have Halos installed? _____ vehicles
10. How many vehicles of this spec will run Aperia telematics? _____ vehicles
11. Do you run any of the following technologies on the vehicles?

TPMS	Y	N
AERODYNAMIC WHEEL COVERS	Y	N
HUBODOMETERS	Y	N
TAG AXLES	Y	N
TIRE EQUALIZATION TECH	Y	N

Anything that wasn't covered in the form about the vehicles or hub measurements? _____

TRACTOR HUB MEASUREMENTS

12. Please take the following measurements so we can properly specify a bracket to mount the Halo.



1. Diameter of stud: _____ inches
(typically 5/8" or 3/4")

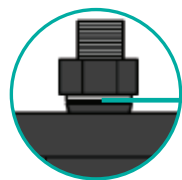
2. Height of stud: _____ inches

3. Bolt circle diameter: _____ inches
(typically 7")

TRACTOR OFFSET MEASUREMENT

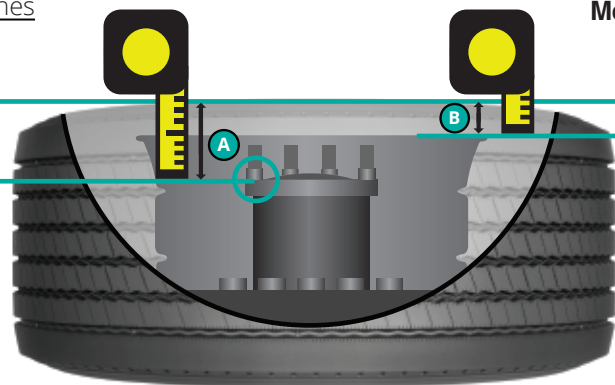
Measurement **A** _____ inches

Measurement **B** _____ inches



Tire face

Rear of hub nut



Edge of rim

TRAILER HUB MEASUREMENTS

13. Please provide hubcap manufacturers and part numbers to help us properly specify a bracket for your trailers.

HUBCAP 1:

Manufacturer: _____

Part number: _____

HUBCAP 2:

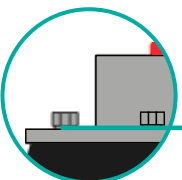
Manufacturer: _____

Part number: _____

TRAILER OFFSET MEASUREMENT

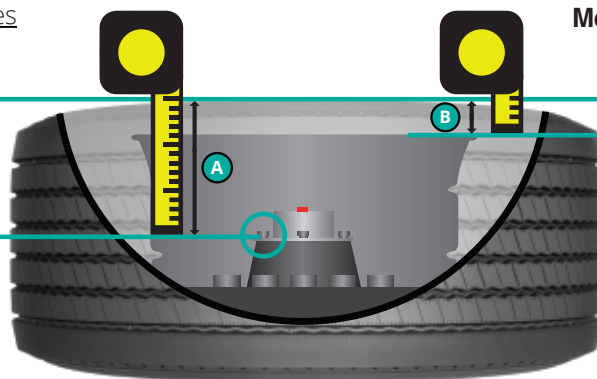
Measurement **A** _____ inches

Measurement **B** _____ inches



Tire face

Rear of bolt head and washer



Edge of rim

COMPLETE & SEND FORM

Please email a copy of your completed form to sales@aperiatech.com or fax to (415) 524-2449.
Please include photos if you are unsure about any measurements.